

Input data

System of measurement		Metric
Input type		Coupling for electric motor
Input speed	[rpm]	1400
Output speed	[rpm]	46.67
Ratio (i=)		30
Frequency	[Hz]	50
Input options		IEC
Requested input power	[kW]	0.12
Service factor		2.8

Output data

Gear unit	CM 040 U 30 63B5 M1	
------------------	----------------------------	--

Type		CM - Wormgearboxes
Size		040
Ratio (i=)		30
Input flange		B5
Mounting position		M1
Input speed	[rpm]	1400
Output speed	[rpm]	46.67
Rated output torque	[Nm]	17.19
Service Factor		2.8
Efficiency		0.7

Gear unit configuration

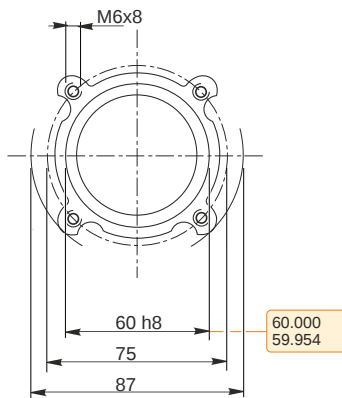
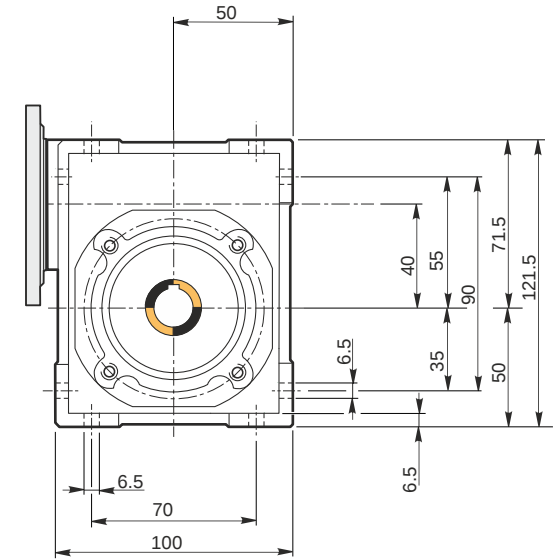
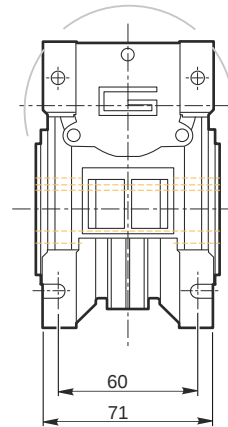
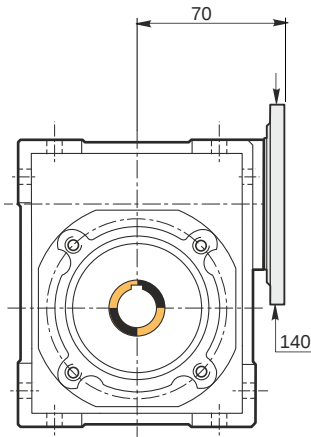
Frame dimensions		METRIC
Output shaft		Hollow output shaft
Fixing		Universal
Mounting position		M1

Output radial and axial loads

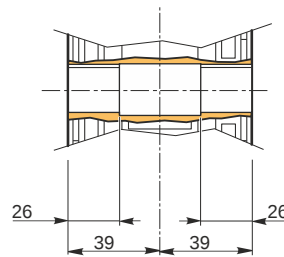
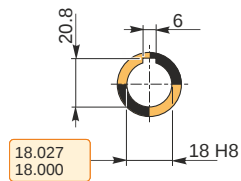
Output radial load	[N]	2004
--------------------	-----	------

Electric motor coupling

Size		631-4
Poles n.		4
Power	[kW]	0.12

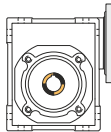


Hollow output shaft

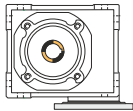


Mounting positions

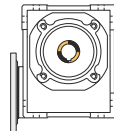
M1(B3)



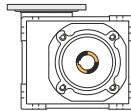
M2(V6)



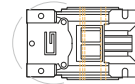
M3(B8)



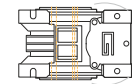
M4(V5)



M5(B7)



M6(B6)

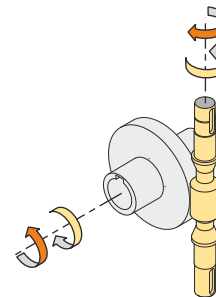
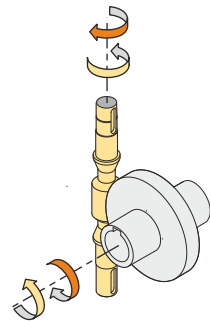
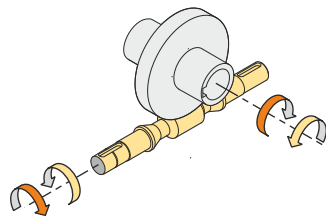
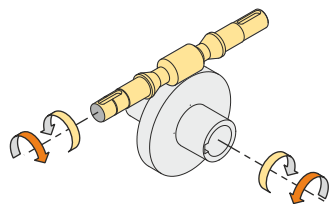


Lubricant type: this gear unit is delivered life lubricated



Oil quantity [litres]

Direction of rotation



Weight

Gear unit [kg] 2.3

Gearing data

Number of starts 1
Lead angle 6° 29'
Pressure angle 20°

Backdriving

Static self-locking
Slow back-driving in case of vibrations
Low dynamic back-driving